

Corrigendum

F. M. MANN and R. E. SCHENTER, "Production of Uranium-232 in a 1200-MW(e) Liquid-Metal Fast Breeder Reactor," *Nucl. Sci. Eng.*, **65**, 544 (1978).

A corrected Fig. 2 is shown below.

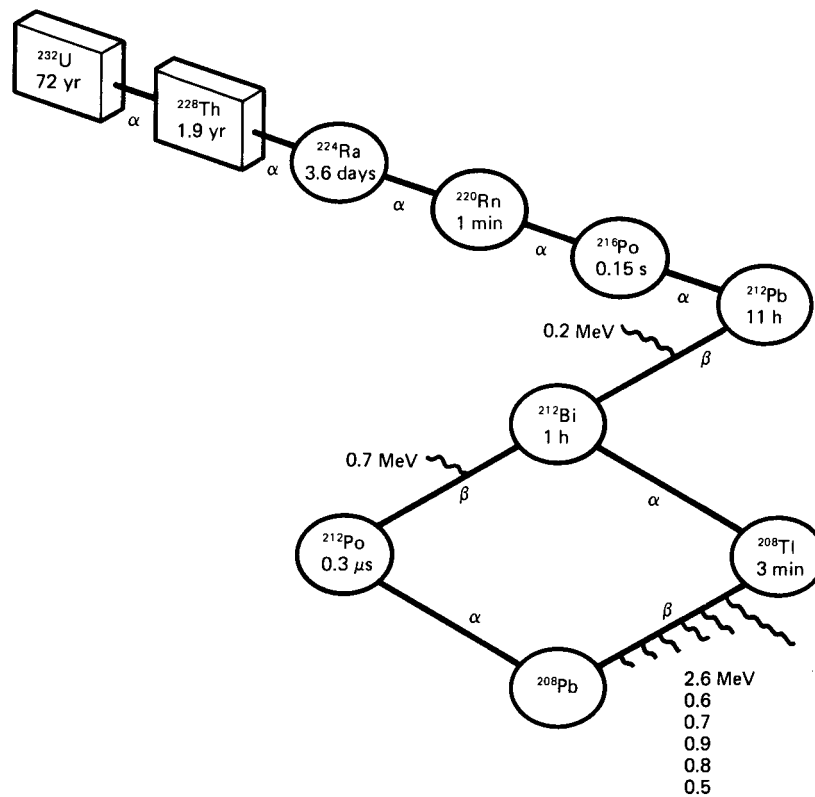


Fig. 2. Uranium-232 and ^{232}Th decay chains. The length of the gamma radiation symbols indicates intensity, with the intensity of the 2.6-MeV gamma ray being 40%.